

# Pivot Injector

**RAINFINE**<sup>®</sup>  
Irrigation Solution.

■ Dietitian & Doctor of your field.

**It can be used for:**

- Fertilizers
- Fungicides
- Pesticides
- Gypsum
- PH control
- Herbicides



[www.centerpivotchina.com](http://www.centerpivotchina.com)

[www.rainfinechina.com](http://www.rainfinechina.com)



86-411-82731882

86-139-40972553

**Rainfine (Dalian) Irrigation Co., Ltd.**



Note:



■ Dietitian & Doctor of your field.

### Main specification

- The capacity up 85 to 500 LPH
- The maximum pressure up to 12 bar
- Measuring accuracy reaches to +/-2%
- Within the scope of 10% -- 100% flow rate
- Temperatures of liquid shall be between -10°C~40°C
- Max.Suct: 2 m
- Motor: Standard 220V/380V,50Hz

### Features

- Mechanical Actuated Diaphragm
- Changeable eccentric drive
- Power-off seal, no leakage,with security delivery device,simple maintance
- Small size in simple structure

### Control

- Manual adjustment of the stroke
- Stroke actuator
- Digital controller

### Others

- It can be used to transport the goods which is high-viscosity,corrosive or dangerous
- Diaphragm rupture detection system



*Dietitian & Doctor of your field.*

### Chemigator :

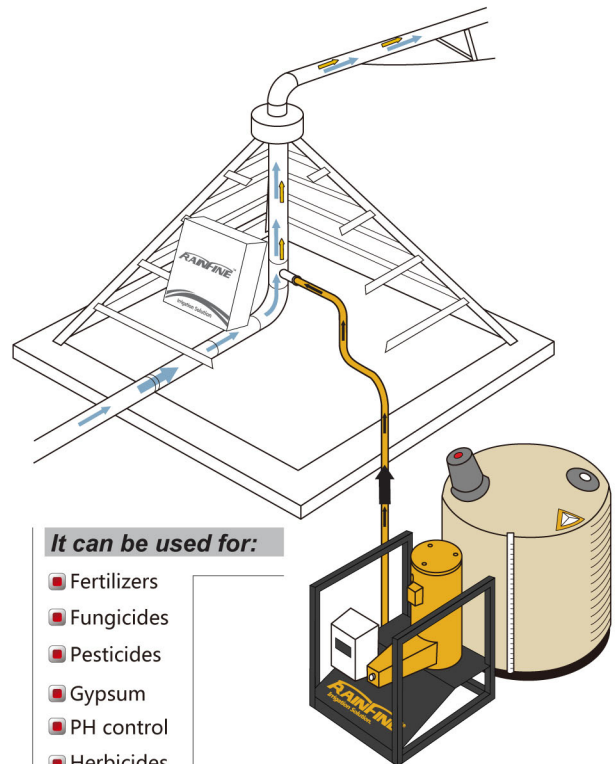
Apply a wide range of agricultural chemicals through your irrigation system.Uniform application of precisely measured amount eliminates waste and saves cost.Ready to install and operate.

### Fertigator :

Apply fertilizer through your irrigation system. Achieve even application with no waste.Minimize labor and fuel costs and increase crop yields.Built for long life of worry free operation.

### Insectigator :

Injects exact small amount of insecticides and fungicides into your irrigation system.Timely and precise application stops insect or fungus problems exactly where and when needed to avoid crop loss.Easy to install and simple to operate.



#### It can be used for:

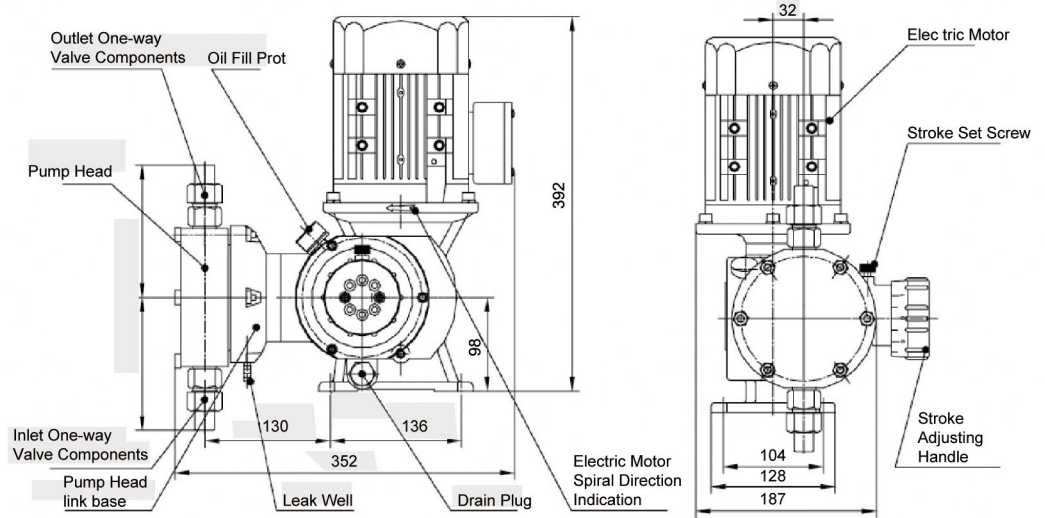
- Fertilizers
- Fungicides
- Pesticides
- Gypsum
- PH control
- Herbicides

Note:

■ Dietitian & Doctor of your field.

### Pump head material

Parts	Material
Pump head	PVC
Diaphragm	PTFE
Valve ball	Ceramic
Valve seat	PVC
Valve cover	PVC
Valve gasket	FPM/PTFE



### Flow rate calculate example

$$10 \text{ liters / hectare} \times 50 \text{ hectares} = 500 \text{ liters total}$$

$$\frac{500 \text{ liters}}{24 \text{ hrs (time for one Pivot / Lateral move)}} = 20.83 \text{ LPH}$$

$$20.83 \text{ LPH} \times 0.264172052 = 5.5 \text{ GPH total}$$

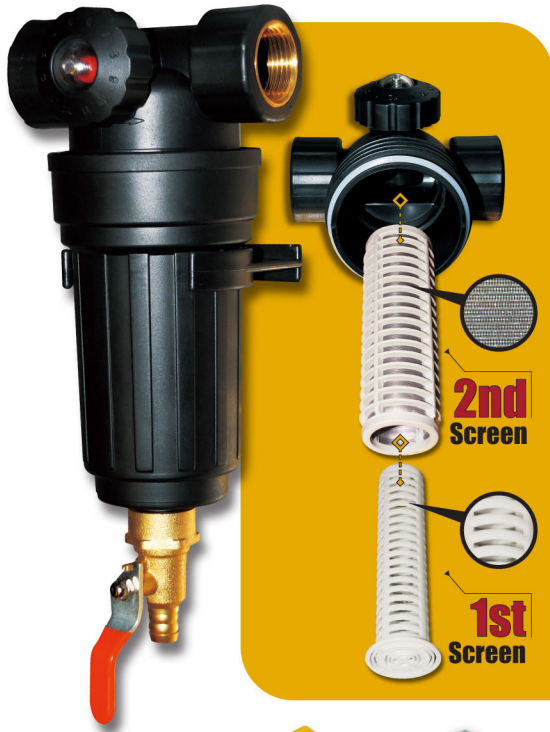


### Technical data

Model	Flow (L/h)	Pressure (MPa)	Pump Speed (SPM)	Stroke Motor (mm)	Diaphragm Effective Diameter(mm)	Worm Gear Speed Ratio	Electric Motor Chosen	Diameter of inlet & Outlet Pump Pipes (mm)
JXM-A 85/1.0	85	0.7	72	6	70	20:1	3-50Hz 220/380v IP55/F	DN15
JXM-A 120/0.7	120		72	8				
JXM-A 170/0.7	170		144	6				
JXM-A 240/0.7	240	0.5	144	8	80	10:1		DN25
JXM-A 315/0.5	315		144	8				
JXM-A 400/0.5	400		144	10				
JXM-A 500/0.5	500		180			8:1(m2.5,24:3)		

Note:

■ Dietitian & Doctor of your field.



### Filter

- Leak valve can keep people away from the damage to their health.
- Chemical resistance material
- Two screens different mesh non block design.

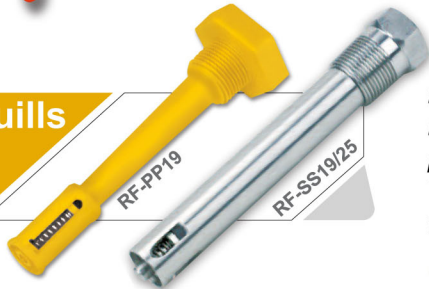
### Valve

- Maximum 10 Bar pressure.
- Chemical resistance material
- Screw connection type more safety.

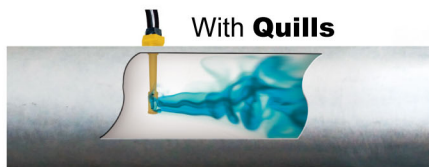
CE ISO9001:2008



### Quills



*Injection quills allow chemicals to be injected into the turbulent flow near the center of the line, providing more uniform dispersion. The disk type check and seat are located at the tip of the quill to allow constant flushing.*



- Provides back pressure to insure metering accuracy.
- Prevents back flow.
- Prevents bleed through when water pressure is low or line is drained.
- Prevents siphoning when metering pumps are off and line is flowing.
- The chemicals can be spray properly with quills.

### Technical data

Part Number	Line Conn. NPT (mm)	Inlet Conn. NPT (mm)	Flow (l/h)	Body Material	Check Material	Spring Material	MAX. Pressure	MAX. Liquid Chemical TEMP.
RF-PP19	19.05	6.35	190	PVC				50°C
RF-SS19	19.05	12.7	758	SS	Viton	316SS	150PSI	65°C
RF-SS25	25.4	19.05	1140					



Note:

■ Dietitian & Doctor of your field.



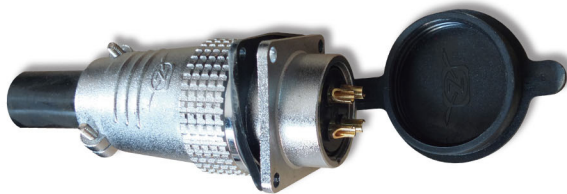
The scale on the tank makes it more convenient and quicker for the users to apply chemicals. After applying the chemicals into the tank according to the ratio, the mixer starts to work on them at the desired value and gain the best concentration.

The tank made from HDPE is highly corrosion-resistant, tough, reliable and strong.

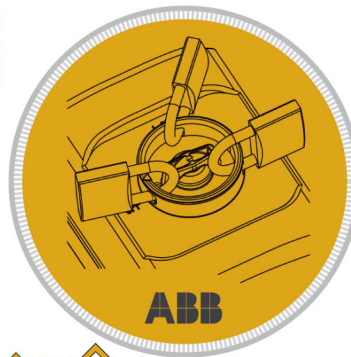
The tank body is integratively designed and seamless. The inlet is appropriate in size, tightly sealed and effectively prevents accidents resulting in children and livestock.

### Technical data

Specification	Size of Chemical tank (mm)	Agitator (KW)
500L	Φ860 x H 970	0.37
1000L	Φ1070 x H 1300	0.55
3000L	Φ1560 x H 1600	2.2



**Aviation Plug** ■ Connected to main control panel



### Main Power Switch

Manual motor starters (MMS) are protection devices for the main circuit. They combine motor control and protection in a single device. MMS are used mainly to switch motors manually ON/OFF and protect them and the installation fuse less against short-circuit, overload and phase failures. Fuse less protection with a manual motor starter saves costs, space and ensures a quick reaction under short-circuit condition, by switching off the motor within milliseconds.

- Enclosure IB132
- Degree of Protection IP65
- Can be locked in 3 positions.

**Note:**

**We'd like to introduce to you our RAINFINE Pivot-Injector® unit that can help you to chemigate your crops using your existing mechanical irrigation system like center pivot or lateral move system.**

**Ours RAINFINE Pivot-Injector® unit allows you to apply wide range of chemicals.**

**It can be used to apply any fertilizer such as nitrogen, phosphorus and potassium into irrigation water and applied to the land using the irrigation system.**

**It can also be used to the apply chemicals (e.g. herbicides, pesticides) and soil conditioners or amendments (PH control, gypsum) into or through an irrigation system with the applied irrigation water. It is an efficient and cost-effective method of applying chemicals.**

**It can help farmers to produce greater yields through timely prescription application and apply right products in the right dosage at the right time. This can mean healthier plants, better quality crop and full yields. Using RAINFINE Pivot-Injector® you will reduce cost and eliminate waste using less chemicals and fertilizers and apply them more precise and even over your field.**

**We are able to suit all your needs and give you option to choose pump with flow you will required and tank size which suit you.**

**HERE IS HOW TO DO IT:**

- Choose pump to suit you best according to flow rate and pressure needed.
- Choose size of your tank with agitator.
- Tell us what chemical you like to use so we make sure that correct pump head is chosen.
- All done so send us this information and we will give you quotation according your requirements.



Rainfine Copy Right © 2013



**Pivot  
Injector**